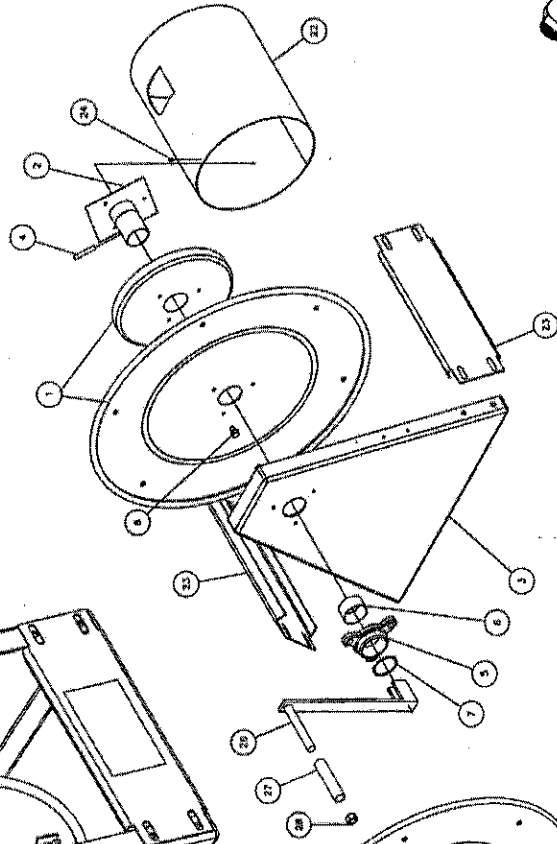
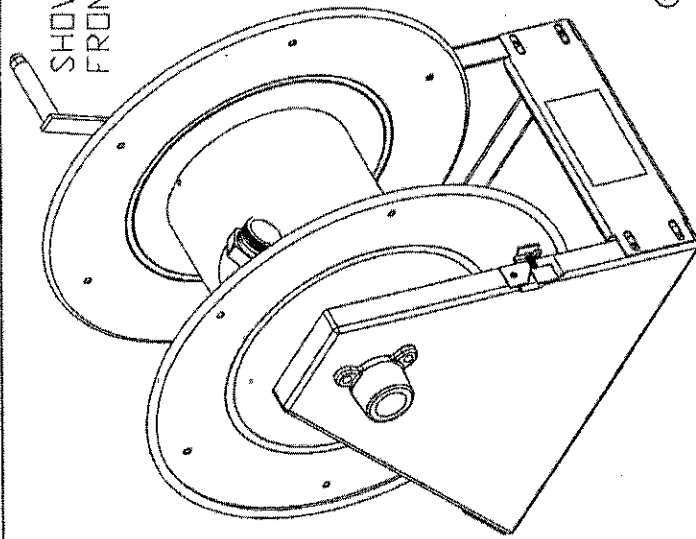
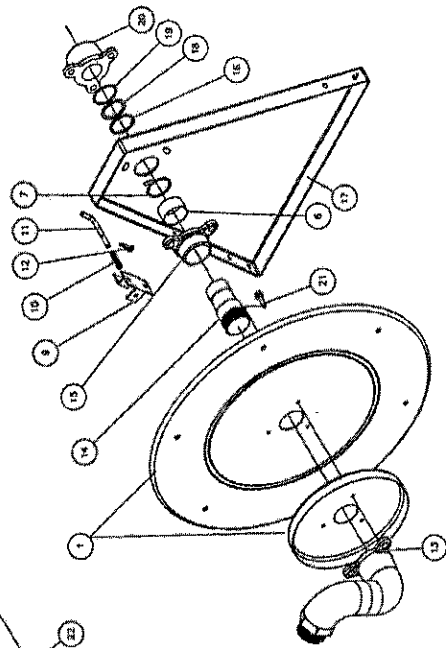


SHOWN FROM
FRONT OF REEL



NOTE: EXPLODED VIEW
FROM REAR OF REEL



ITEM QTY.	DESCRIPTION	PART NO.
1	RIM ASST. FOR 2839 REEL	2839RA, 2842RA
2	HANDCRANK ADAPTOR FOR 2839 REEL	2839CA
3	"RIGHT SIDE" STAND	2839ST, 2842ST
4	ROLL PIN .312 DIA x 1.75 LONG	2839RP
5	BEARING HOUSING, HANDCRANK SIDE	2839CH
6	BEARING FOR 2839RH HOUSING	2839B
7	STEEL RETAINING RING	2839RR-S
8	5/16-18 x 1/2" HEX WASHER HEAD SCREW	2839S
9	STOP BRACKET FOR 2839 REEL	2839SB
10	SPRING FOR 2839 STOP PIN	2839SP
11	STOP PIN FOR 2839 REEL	2839CP
12	COTTER PIN 1/16" x 3/4"	2839M
13	MANIFOLD FOR 2839 REEL	2839M
14	NIPPLE FOR INLET SIDE OF 2839 REEL	2839N
15	INLET BEARING HOUSING FOR 2839 REEL	2839CH-1
16	STAINLESS STEEL SPACER WASHER FOR 2839 REEL	2839SW
17	"LEFT SIDE" STAND	2839ST-L, 2842ST-L
18	TEFLON RETAINING RING FOR 2839 REEL	2839RR-N
19	O-RING FOR 2839 REEL	2839O
20	INLET HOUSING FOR 2839 REEL	2839RH
21	5/16-18 x 1" HEX WASHER HEAD SCREW	2839H-12, 2839H-20, 2839H-26, 2839H-34,2839H-34
22	DRUM FOR 2839 REEL (12" SHOWN)	7080DR
23	BASEPLATE FOR 2839 REEL (12" SHOWN)	2839L
24	STAINLESS STEEL RIVET 1/8" DIA x 3/8"	2839L
25	DECAL (NOT SHOWN)	2839-HC
26	HANDCRANK (OPTIONAL)	2839-HC-H
27	P.V.C. HANDCRANK HANDLE	2839-HC-NUT
28	1/2-13 HEX NUT	2839 R/KIT
29	REPAIR KIT 2839	

TOLERANCES (UNLESS OTHERWISE NOTED)	DATE:	8-15-01
.XXX = ±.005	DRAWN BY:	M FOSTER
.XX = ±.015	FILE NAME:	2839
FRACTIONS = ± 1/32		
PROJECT HOSE REEL ASSEMBLY		
PART HOSE REEL		

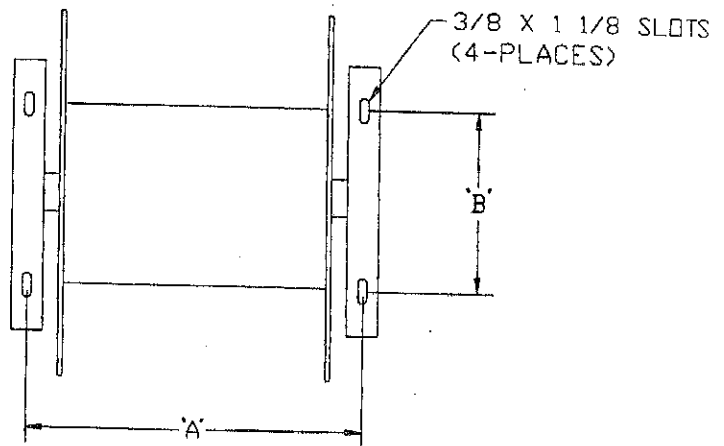
D:\Pchtr-Form\p2\PROJ\EST\B\HoseReel\2839\DIM.S.dwg, 08/15/2001 09:32:51 AM

INSTALLATION INSTRUCTIONS

CONTINUOUS FLOW HOSE REEL

1. Mount the hose reel unit solidly to the floor by use of studs, or concrete screws. (See drawing for dimensions.)
2. A flexible connector (#2839-FH) MUST be installed directly between the hose reel hub and the water supply.
3. Test at low pressure for leaks, and repair if needed.
4. Check to see that the nozzle is screwed securely onto the hose, and that nozzle is in the closed position.

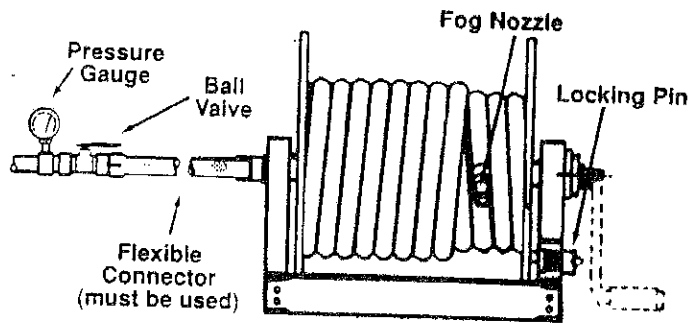
	'A' dim	'B' dim
2836	14 5/8"	14"
2837	14 5/8"	14"
2838	14 5/8"	14"
2839	23 1/2"	14"
2840	31"	14"
2841	37"	14"
2842	31"	14"



OPERATING INSTRUCTIONS

CONTINUOUS FLOW HOSE REELS

1. Open hose valve completely.
2. Unlock hose reel from locking pin.
3. Remove sufficient hose from the reel and hold firmly.
4. Open nozzle to desired pattern. (Fog, or straight stream)
5. Direct water flow at base of fire.

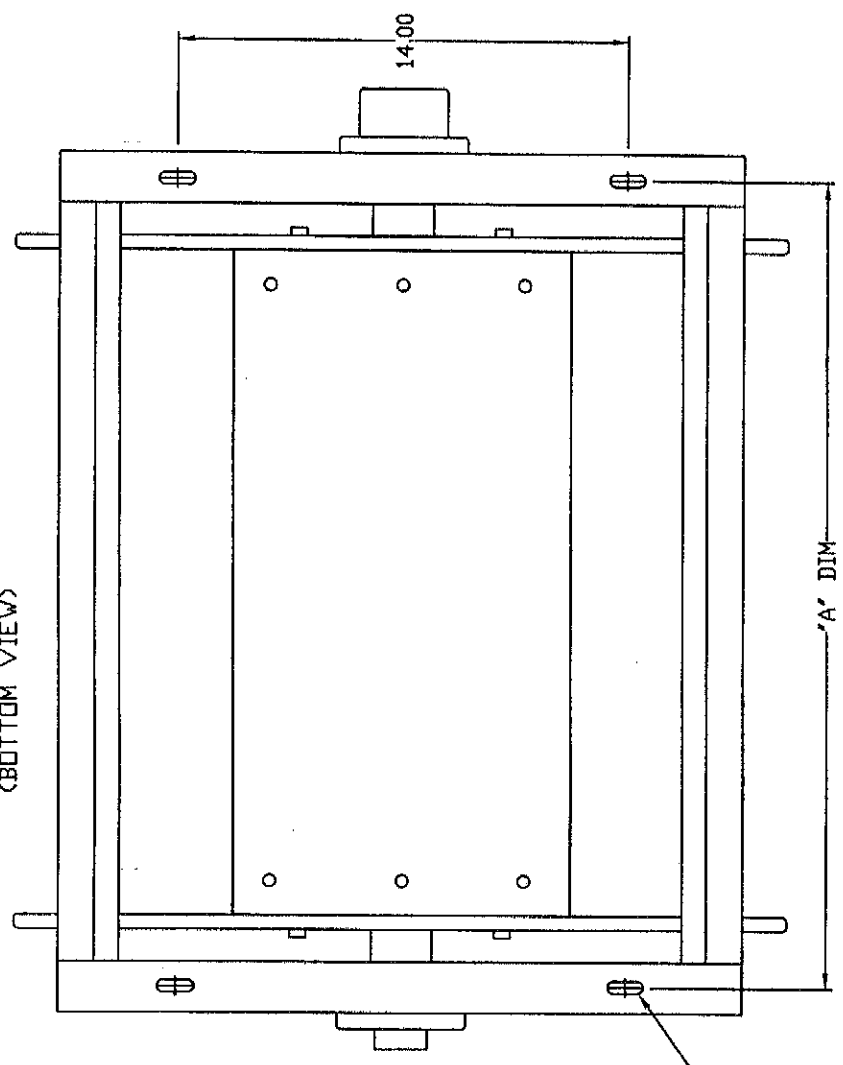


RG/ei

ENST 53

HOSE REEL BASE MOUNTING DIMENSIONS

(BOTTOM VIEW)



MODEL #	"A" DIM
2836	14.625
2837	14.625
2828	14.625
2839	23.50
2840	31.00
2841	37.00
2842	31.00

TOLERANCES <small>(UNLESS OTHERWISE NOTED)</small> .XXX = ±.005 .XX = ±.015 FRACTIONS = ± 1/32	DATE:	3-8-04	PROJECT BASE MOUNTING DETAIL 2839 REELS
	DRAWN BY:	R. GWYNN	
	FILE NAME:	REEL BASE DIMS	2839SERIES
		2839 REELS	

SOURCE INLET 1.5XF NPT

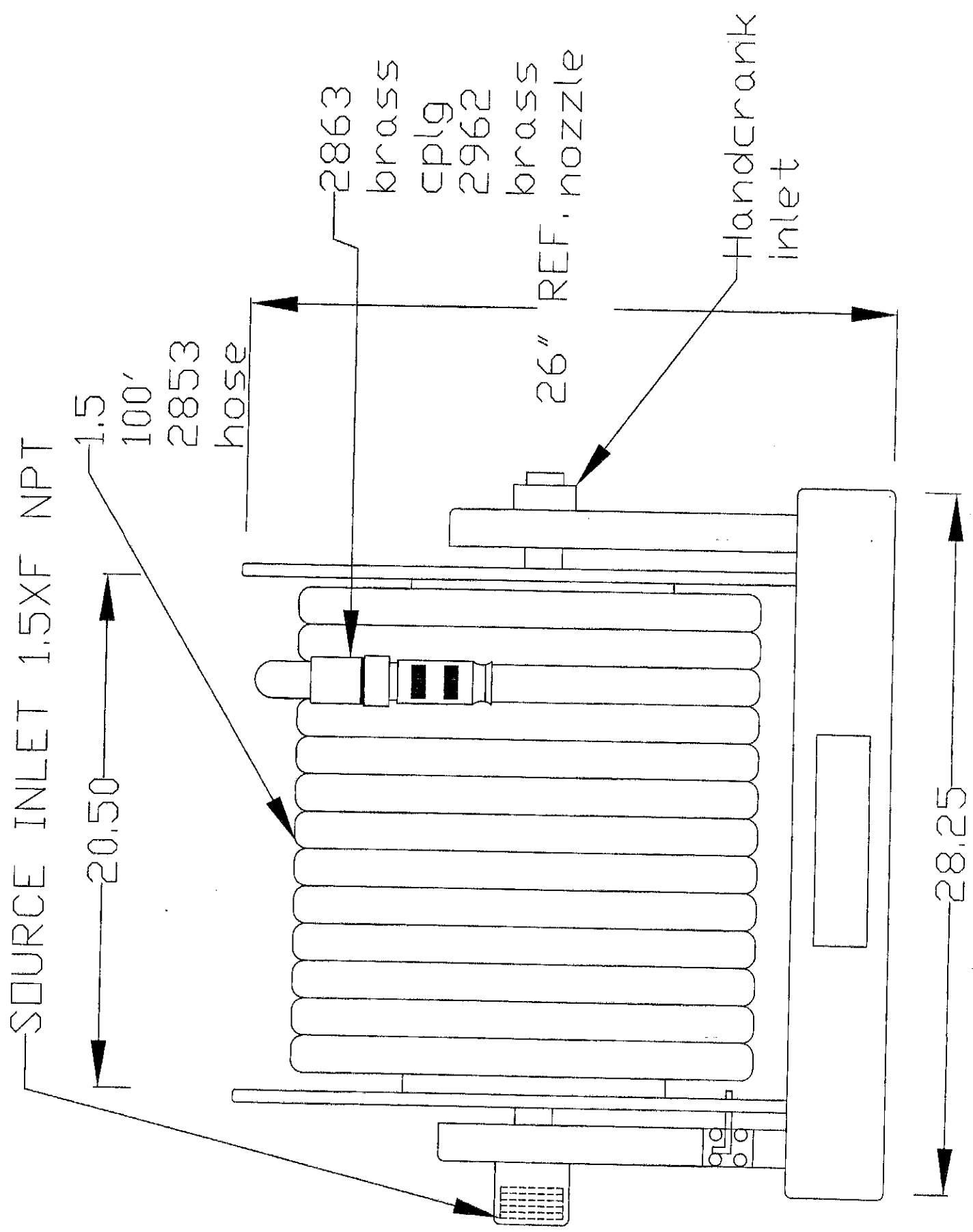
1.5
100'
2853
hose

20.50

2863
brass
cplg
2962
brass
26" REF. nozzle

Handcrank
inlet

28.25



2839 Continuous Flow Hose Reel Maintenance Instructions

This unit is designed for trouble free & maintenance free operation, however occasional checks should be made to ensure proper operation. Hose reel assembly components shall be inspected, and maintained in accordance with the applicable sections of the National Fire Protection Association Standard for the Inspection, Testing and Maintenance of Water-based Fire protection Systems, NFPA 25.

In addition, verify that the hose is rolled up onto the reel correctly, with no twists or kinks, and that the nozzle is visible, and within easy access.

Verify that the hose is free of nicks, or imperfections. Avoid hose contact with petroleum based solvents, or chemicals. The reel should be cleaned periodically to ensure that all reel instruction labels are clean and legible.

At any sign of water leakage, the seals and "O" rings may need replacement.

A replacement kit is available,

Part Numbers, 2839 O (O ring)

2839 RR-N (Nylon retaining ring seal)
Other replacement parts are available upon request from Customer Service.

12/8/05

2839 SERIES HOSE REEL PREVENTATIVE MAINT.

Due to the 2839 series hose reel's unique low-maintenance design, there is relatively little effort required to maintain good performance of the reel assembly and its components. There are however some important points to consider when conducting standard inspections of the equipment.

After charging the hose line, check that there is no leakage of water from the inlet bearing housing. Any leakage is an indication that the seals are wearing out and should be replaced. A replacement kit PN# (2839Kit) is available from Potter Roemer. (626) 855-4890

Check that the Stainless Steel snap retaining ring is in place on the handcrank side nipple on the reel. If this retaining ring is missing a slight wobble will result when the reel is turning. Ensure water is not left in the hose under freezing conditions. Freezing water left in hose can cause it to burst.

Check nozzle for free movement throughout adjustment range. Lubrication with light house oil will help as needed. Brass nozzles left to exposure will develop a corrosive buildup, and should be cleaned periodically.

2839
FAULT FINDING/PREVENTATIVE
MAINTENANCE

Due to the 2839 - M unit's unique low-maintenance design, there is relatively little required to maintain good performance of the reel assembly and its components.

There are however some important points to remember when conducting standart inspections of the equipment.

- . After charging the hose line, check that there is no leakage of water from the inlet bearing housing. Any leakage is an indication that the seals are wearing out, and should be replaced. A replacement kit is available from Potter Roemer.
- . Check that the Stainless steel snap retaining ring is in place on the handcrank side nipple of the reel. Removal can cause a slight wobble of the reel when in use.
- . Ensure water is not left in hose under freezing or sub-zero weather conditions. Doing so could cause the hose to burst.
- . Check nozzle for free movement throughout entire adjustment range. Lubrication with light oil will help when needed. Brass nozzles left to exposure can begin to develop a corrosive buildup, and should be cleaned periodically.